

DATA SHEET

Field Gateway

Connect operations to predictive analytics



Control System Integration

Secure network with a standalone server.

Connectivity Options

- 3G/4G
- WiFi
- Ethernet

Mechanical

The gateway can be supplied with a mounting bracket if needed.

Ordering

Gateway ordering SKU code determined by configuration specifications.

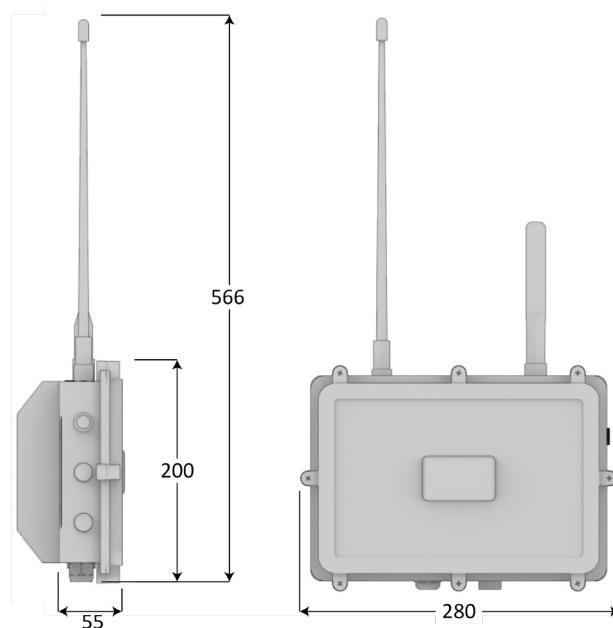
Power

- 110-260V AC
- 12-36VDC

General

- Seamless integration between Smart-Idlers® and Vayeron Server (cloud or standalone)
- Quick and easy installation within conveyor structure
- Ruggedized IP67 enclosure - ideal for harsh environments

Parameter	Conditions	Min	Typ	Max	Units
General Characteristics					
Ambient Operating Temp		-20		+60	°C
Ambient Storage Temp		-20		+85	°C
Operating Power			24		W
No. of Devices per Gateway				5000	ea
Life Rating				10	years
Radio Frequency Characteristics					
Range	Gateway to Idler		10	30	m
Frequency			433		MHz
Data Rate			250	500	kbps
No. of Channels			200		kHz
Tx Power			5		
Rx Sensitivity	At Antenna		-93		dBm
Transaction Time	From Idler to Idler		10		ms
Power Characteristics					
AC Voltage Range	AC Gateway	110	240	260	VAC
DC Voltage Range	DC Gateway	18	24	36	VDC
Power	Both AC and DC		24		W
Server Communication Characteristics					
Ethernet Data Rate			100		Mbps
3G/4G Data Rate		1	5	10	Mbps
DC Ethernet Gateway Electrical Specifications					
AC Input Voltage		18		36	VDC
Input Power				24	W
Frequency Band				433	MHz
Bandwidth				1.74	MHz
Power Output (max)				10	mW
Modbus Ethernet				100	Mbps
TCP Ethernet				100	Mbps



Code Group - System Type	
System	Code No.
Smart-Idler	SI
Wireless Acquisition Device	WA

Code Group - Enclosure Type	
Material	Code No.
Aluminium	AL
Stainless Steel (316)	SS
Custom	CU

Code Group - Deployment Region	
Country	Code No.
Australia	AU1
North America	NA2
South America	SA3
Japan	JA4
Canada	CA5
South Africa	SA6
China	CN7

Code Group - Connectivity	
Technology	Code No.
2G/4G	CELL
WIFI	WIFI
Ethernet	ETHR

Code Group - Power Supply	
Power	Code No.
110-240VAC	AC
12-24VDC	DC

<p>TABLE 1 TABLE 2 TABLE 3 TABLE 4 TABLE 5</p> <p>GW - XX - XX - XX - XXXX - XX</p>	<p>Example</p> <p>A Gateway with the following configuration:</p> <ul style="list-style-type: none"> • System Type = Smart-Idler* • Enclosure Type = Aluminium • Deployment Region = Australia • Connectivity = 3G/4G • Power Supply = 240VAC <p>Would have the following order code:</p> <p>GW - SI - AL - AU1 - CELL - AC</p>
--	---